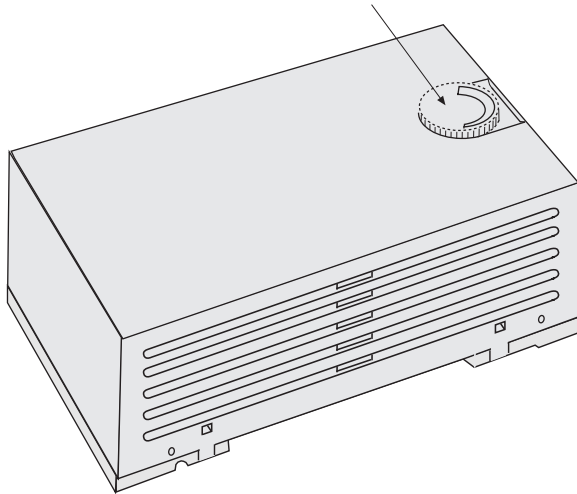


ENCLOSURE WITH KNOB

SERIES
900

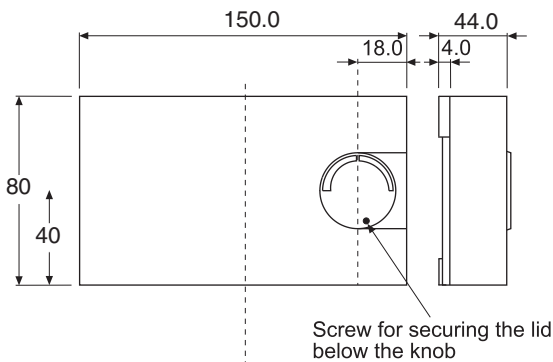
Can be limited to 180° mechanical travel



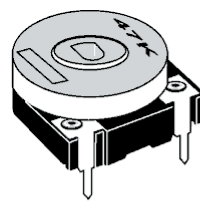
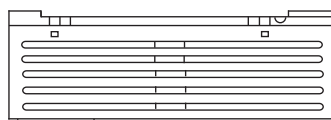
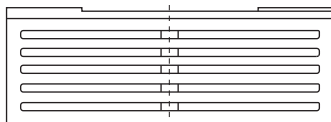
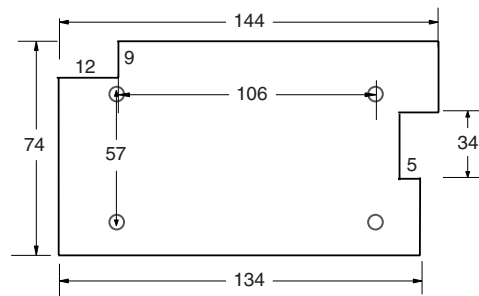
Enclosure with knob, for wall mounting, suitable for room thermostats etc. The knob fits among others trimmer P/N. PCH 215/30 from AB Elektronik GmbH. See www.bernic.dk Standard colour is white/white but other colours can be supplied upon request. PCB and packing are available. Base part available with or without spacer and four self tapping screws to fix the PCB.

TECHNICAL DATA:

Top part: ABS
Base part: ABS
Colour: White/white (RAL 9010)
Temperature range: -30 - + 75 °C
Self-extinguishing: Acc. to UL94-V0
Knob: Cycoloy C 2800



900 PCB DIMENSIONS:

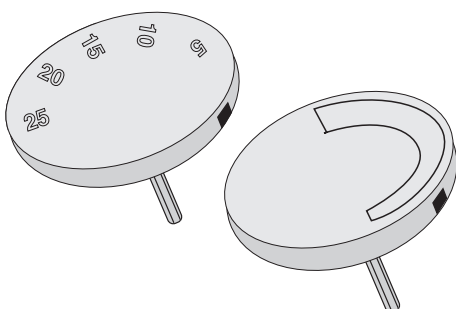


Trimmer
Series PCH 215/30
(see page 22)

TYPE 900	ORDER CODE:
Type 900 complete % spacer	p/n 0669000900
PCH 215/30 10 k trimmer	p/n 0207220103
Packing	p/n 2068900000
Knob without print	p/n 0669001603
Knob with grey print	p/n 0669080603
Knob with red print	p/n 0669020603
Knob with black dot	p/n 0669081603
Push button switch	p/n 4955127313
Rocker switch - 28V DC	p/n 1441210212

KNOB WITH C°SCALE

FOR 300, 600 AND 900



Knob with C° scale	p/n 0669002603
--------------------	----------------

Optional knob with C° scale for 300, 600 and 900 to use for all our thermostat boxes

● All measurements are in mm